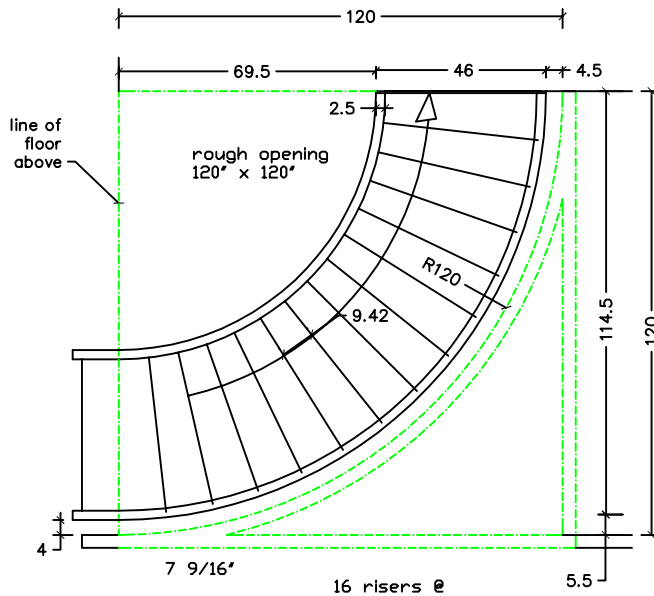


stair in well hole opening

stair specifications

1. flr to flr. 120 1/2"
2. 16 risers @ 7 9/16"
3. freestanding
4. paint grade for marble
5. treads squared to accept marble
6. birch veneered stringers
7. width 42" / 2 1/2" curbed stringer
8. rot. LH, 90deg.
9. starting step as indicated
10. all dim. to be confirm
11. walkline 9 7/16"



SHOP DRWG.
SPECIFICATIONS
PROJECT lhb
DATE: 17/01/03
This AutoCAD Drawing is the property of the Ottawa Classic Stairs, and may not be used or reproduced in any manner without the express permission of Ottawa Classic Stairs.
Each Staircase is Mfg. to the exact specifications as indicated in this Drawing. Please VERIFY with onsite measurements.
ACCEPTANCE
This drawing must be signed and dted for work to commence
Signed:
Dated:
Ottawa Classic Stairs Inc. 1740 Bantree St. Ottawa, Ont., K1B 3W4 Tel: (888) 33 STAIR Fax: (888) 251 1898
DRAWING #  811lhb-a1

PLEASE NOTE: It is the sole responsibility of the end user to ensure compliance with local State and County Building Codes.